

# A10-OLinuXino-LIME

Open-source single-board Android/Linux mini-computer

## USER'S MANUAL

Revision A, May 2014  
Designed by OLIMEX Ltd, 2014



All boards produced by Olimex LTD are ROHS compliant

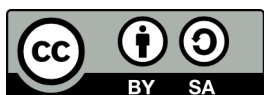
## DISCLAIMER

---

© 2014 Olimex Ltd. Olimex®, logo and combinations thereof, are registered trademarks of Olimex Ltd. Other product names may be trademarks of others and the rights belong to their respective owners.

**The information in this document is provided in connection with Olimex products. No license, express or implied or otherwise, to any intellectual property right is granted by this document or in connection with the sale of Olimex products.**

This work is licensed under the Creative Commons Attribution-ShareAlike 3.0 Unported License. To view a copy of this license, visit <http://www.creativecommons.org/licenses/by-sa/3.0/>.



This hardware design by Olimex LTD is licensed under a Creative Commons Attribution-ShareAlike 3.0 Unported License.

The software is released under GPL.

It is possible that the pictures in this manual differ from the latest revision of the board.

The product described in this document is subject to continuous development and improvements. All particulars of the product and its use contained in this document are given by OLIMEX in good faith. However all warranties implied or expressed including but not limited to implied warranties of merchantability or fitness for purpose are excluded. This document is intended only to assist the reader in the use of the product. OLIMEX Ltd. shall not be liable for any loss or damage arising from the use of any information in this document or any error or omission in such information or any incorrect use of the product.

This evaluation board/kit is intended for use for engineering development, demonstration, or evaluation purposes only and is not considered by OLIMEX to be a finished end-product fit for general consumer use. Persons handling the product must have electronics training and observe good engineering practice standards. As such, the goods being provided are not intended to be complete in terms of required design-, marketing-, and/or manufacturing-related protective considerations, including product safety and environmental measures typically found in end products that incorporate such semiconductor components or circuit boards.

Olimex currently deals with a variety of customers for products, and therefore our arrangement with the user is not exclusive. Olimex assumes no liability for applications assistance, customer product design, software performance, or infringement of patents or services described herein.

**THERE IS NO WARRANTY FOR THE DESIGN MATERIALS AND THE COMPONENTS USED TO CREATE A10-OLINUXINO-LIME. THEY ARE CONSIDERED SUITABLE ONLY FOR A10-OLINUXINO-LIME.**

## Table of Contents

<b><u>DISCLAIMER.....</u></b>	<b><u>2</u></b>
<b><u>CHAPTER 1: OVERVIEW.....</u></b>	<b><u>5</u></b>
<b><u>1. Introduction to the chapter.....</u></b>	<b><u>5</u></b>
<b><u>1.1 Features.....</u></b>	<b><u>5</u></b>
<b><u>1.2 Target market and purpose of the board.....</u></b>	<b><u>5</u></b>
<b><u>1.3 Board variants.....</u></b>	<b><u>6</u></b>
<b><u>1.4 Board version used in the manual.....</u></b>	<b><u>6</u></b>
<b><u>1.5 Document organization.....</u></b>	<b><u>6</u></b>
<b><u>CHAPTER 2: SETTING UP THE OLINUXINO BOARD.....</u></b>	<b><u>8</u></b>
<b><u>2. Introduction to the chapter.....</u></b>	<b><u>8</u></b>
<b><u>2.1 Electrostatic and electrical polarity warning.....</u></b>	<b><u>8</u></b>
<b><u>2.2 Requirements.....</u></b>	<b><u>8</u></b>
<b><u>2.3 Powering the board.....</u></b>	<b><u>9</u></b>
<b><u>2.4 Button functions.....</u></b>	<b><u>10</u></b>
<b><u>2.5 Changing the default image resolution.....</u></b>	<b><u>11</u></b>
<b><u>2.5 Connecting and calibrating a display.....</u></b>	<b><u>12</u></b>
<b><u>2.5.1 Android calibration.....</u></b>	<b><u>12</u></b>
<b><u>2.5.2 Debian calibration.....</u></b>	<b><u>13</u></b>
<b><u>2.6 Software support.....</u></b>	<b><u>13</u></b>
<b><u>CHAPTER 3: A10-OLINUXINO-LIME BOARD DESCRIPTION.....</u></b>	<b><u>14</u></b>
<b><u>3. Introduction to the chapter.....</u></b>	<b><u>14</u></b>
<b><u>3.1 Layout (top view).....</u></b>	<b><u>14</u></b>
<b><u>3.2 Layout (bottom view).....</u></b>	<b><u>15</u></b>
<b><u>CHAPTER 4: THE ALLWINNER A10 MICROCONTROLLER.....</u></b>	<b><u>16</u></b>
<b><u>4. Introduction to the chapter.....</u></b>	<b><u>16</u></b>
<b><u>4.1 The processor.....</u></b>	<b><u>16</u></b>
<b><u>CHAPTER 5: CONTROL CIRCUITY.....</u></b>	<b><u>18</u></b>
<b><u>5. Introduction to the chapter.....</u></b>	<b><u>18</u></b>
<b><u>5.1 Reset.....</u></b>	<b><u>18</u></b>
<b><u>5.2 Clocks.....</u></b>	<b><u>18</u></b>
<b><u>5.3 Power supply circuit.....</u></b>	<b><u>18</u></b>
<b><u>CHAPTER 6: CONNECTORS AND PINOUT.....</u></b>	<b><u>19</u></b>
<b><u>6. Introduction to the chapter.....</u></b>	<b><u>19</u></b>
<b><u>6.1 Communication with LIME.....</u></b>	<b><u>19</u></b>
<b><u>6.1.2 UART0 interface.....</u></b>	<b><u>19</u></b>
<b><u>6.2 MicroSD card connector.....</u></b>	<b><u>20</u></b>
<b><u>6.2.1 SD/MMC1 slot.....</u></b>	<b><u>20</u></b>
<b><u>6.3 PWR jack.....</u></b>	<b><u>21</u></b>
<b><u>6.4 USB OTG connector.....</u></b>	<b><u>21</u></b>

---

<b><u>6.5 USB HOST connectors.....</u></b>	<b><u>23</u></b>
<b><u>6.6 Ethernet.....</u></b>	<b><u>23</u></b>
<b><u>6.7 HDMI connector.....</u></b>	<b><u>26</u></b>
<b><u>6.8 SATA connector and power.....</u></b>	<b><u>27</u></b>
<b><u>6.9 GPIO-1 (General Purpose Input/Output) 40pin connector.....</u></b>	<b><u>28</u></b>
<b><u>6.10 GPIO-2 (General Purpose Input/Output) 40pin connector.....</u></b>	<b><u>29</u></b>
<b><u>6.11 GPIO-3 (General Purpose Input/Output) 40pin connector.....</u></b>	<b><u>30</u></b>
<b><u>6.12 GPIO-4 (General Purpose Input/Output) 20pin connector.....</u></b>	<b><u>30</u></b>
<b><u>6.13 LCD CON 40pin connector.....</u></b>	<b><u>31</u></b>
<b><u>6.14 Jumper description.....</u></b>	<b><u>32</u></b>
<b><u>6.15 Additional hardware components.....</u></b>	<b><u>33</u></b>
<b><u>CHAPTER 7: SCHEMATICS.....</u></b>	<b><u>34</u></b>
<b><u>7. Introduction to the chapter.....</u></b>	<b><u>34</u></b>
<b><u>7.1 Eagle schematic.....</u></b>	<b><u>34</u></b>
<b><u>7.2 Physical dimensions.....</u></b>	<b><u>35</u></b>
<b><u>CHAPTER 8: REVISION HISTORY AND SUPPORT.....</u></b>	<b><u>36</u></b>
<b><u>8. Introduction to the chapter.....</u></b>	<b><u>36</u></b>
<b><u>8.1 Document revision.....</u></b>	<b><u>36</u></b>
<b><u>8.2 Board revision.....</u></b>	<b><u>36</u></b>
<b><u>8.3 Useful web links and purchase codes.....</u></b>	<b><u>37</u></b>
<b><u>8.4 Frequently asked questions.....</u></b>	<b><u>38</u></b>
<b><u>8.5 Product support.....</u></b>	<b><u>40</u></b>

## CHAPTER 1: OVERVIEW

---

### 1. Introduction to the chapter

---

Thank you for choosing this OLinuXino single board computer from Olimex! This document provides a user's guide for the Olimex A10 LIME board. As an overview, this chapter gives the scope of this document and lists the board's features. The document's organization is then detailed.

The A10-OLinuXino-LIME development board enables code development of applications running on the A10 microcontroller, manufactured by Allwinner Technology from China.

OLinuXino is an open-source, open-hardware project and all documentation is available to the customer.

### 1.1 Features

---

The board has the following set of features:

- A10 Cortex-A8 CPU 1GHz and Mali 400 GPU
- 512MB DDR3 RAM memory
- **4GB NAND FLASH memory (available only on the 4GB version of the board)**
- **Android already loaded on the NAND (available only on the 4GB version of the board)**
- SATA connector with 5V SATA power jack
- Built-in FullHD support (1080p)
- 2 x USB High-speed host with power control and current limiter
- USB-OTG with power control and current limiter
- HDMI output with ESD protectors
- VGA output on 6-pin 1.25mm (0.05") step connector
- 100MBit native Ethernet
- Battery connector with battery-charging capabilities
- LCD connector compatible with with 4.3", 7.0", 10.1" LCD modules from Olimex
- 160 GPIOs on four GPIO connectors
- MicroSD card connector
- DEBUG-UART connector for console debug with USB-SERIAL-CABLE-F
- GPIO LED
- Battery charge status LED
- 5V input power supply, noise immune design
- Power LED
- 2KB EEPROM for MAC address storage and more
- 3 BUTTONS with ANDROID functionality + RESET button
- 4 mount holes
- PCB dimensions: (3005×2345) mils ~ (76×59) mm

### 1.2 Target market and purpose of the board

---

The boards from the OLinuXino family are easy to setup and powerful. It is possible to use them in almost any application as a host board. They are suitable for embedded programming enthusiasts,

---

Linux and Android gadget fans (they can just use the board as a media center or fully functional Linux-PC, for instance) and also professionals (since its low cost makes it very good solution for application-orientated embedded systems). The main usage of the board is software embedded development without the urge of understanding perfectly the hardware.

The strong points of the boards are the processor speed, the small form factor and the low price-to-productivity ratio.

Customers have full access to the technical documentation of the board. The software is released under General Purpose License and the board is considered open-hardware – all schematics and board design files are available to the customer under the Creative Commons Attribution-ShareAlike 3.0 Unported License.

### **1.3 Board variants**

---

There are two major board variants named: A10-OLinuXino-LIME and A10-OLinuXino-LIME-4GB. The 4GB version has a built-in NAND memory that allows the storage of an operating system without the need of a SD card. The 4GB version comes with already programmed Android 4.2.2 image.

The other Olimex boards with close characteristics are the ones with A13 and A20 microcontrollers. The A13 boards feature a generation older processor but since they have been longer on the market they have better Linux and Android support. The A20 boards feature a more powerful dual-core processor which makes them perfect for heavy computational tasks.

Additional Android and Linux support and features are added overtime. The Linux support is a work in progress and you should not expect full Linux support after the initial volume of such boards have become available on the market. If you are in a hurry consider the older OLinuXino designs (which have almost everything supported, have examples available and so on).

### **1.4 Board version used in the manual**

---

Revision C boards and resources were used while writing this document. It is possible that they are outdated so it is always recommended to download the latest sources from the GitHub page of the board (<https://github.com/OLIMEX/OLINUXINO/tree/master/HARDWARE/A10-OLinuXino-LIME>).

### **1.5 Document organization**

---

Each section in this document covers a separate topic, organized as follows:

- Chapter 1 is an overview of the board usage and features
- Chapter 2 provides a guide for quickly setting up the board and software notes
- Chapter 3 contains the general board diagram and layout
- Chapter 4 describes the component that is the heart of the board: the A10 – Allwinner processor
- Chapter 5 is an explanation of the control circuitry associated with the microcontroller
- Chapter 6 covers the connector pinout, peripherals and jumper description
- Chapter 7 provides the schematics and the dimensions of the board

- Chapter 8 contains the revision history, useful links and support information
- 
-

---

## CHAPTER 2: SETTING UP THE OLINUXINO BOARD

---

### 2. Introduction to the chapter

---

This section helps you set up the OLinuXino development board for the first time. Please consider first the electrostatic warning to avoid damaging the board, then discover the hardware and software required to operate the board.

The procedure to power up the board is given, and a description of the default board behavior is detailed.

#### 2.1 Electrostatic and electrical polarity warning

---

OLinuXino is shipped in a protective anti-static package. The board must not be exposed to high electrostatic potentials. A grounding strap or similar protective device should be worn when handling the board. Avoid touching the component pins or any other metallic element.

If you connect other electrical devices to the LIME board make sure that they have equal electrical polarity. For example, when you connect an HDMI cable between a TV and the board it is a good idea to have them both connected to the same electrical source (to the same utility power socket). This might be said for a serial cable connected between a PC and the board's DEBUG port. In rare cases different polarity might cause hardware damage to the board.

#### 2.2 Requirements

---

In order to set up the A10-OLinuXino-LIME optimally one or more additional items may be used. They might be generally placed in three categories:

**Required** – items that are needed in order to achieve minimum functionality;

**Recommended** – items that is good to have in order to be able to interact with the most important of the features of the board;

**Additional** – items that provide access to additional features or expand the features of the board.

##### **Required items:**

- USB type A to USB mini cable – to connect to a personal computer; used for powering the board and uploading new Android image to the NAND memory (if your board has 4GB NAND)
- Input device – either a mouse/keyboard or touchscreen LCD
- Output device – either HDMI cable + native HDMI monitor/screen/projector; or USB-SERIAL-CABLE-F + personal computer (for Linux and/or Android debugging)
- SD card with compatible image – if you have the board version with NO additional NAND memory you will need it to use one of the images available.

##### **Recommended items:**

- External USB hub – to split the USB\_HOST mounted on the board; you need that to connect more USB devices
- External power supply unit – 5V DC, 5W required – for optimal power
- A10-OLinuXino-LIME-BOX – an aesthetic box specially made for the board that protects it from



dust and accidental short-circuits

- USB-SERIAL-CABLE-F – for Android/Linux debugging on UART0

#### **Additional items include:**

- Small heatsink for the processor – during long video playbacks the A10 processor might heat up
- External 2.5" SATA hard disk drive (proper cables sold)
- Ethernet cable for wired Ethernet
- A10-OLinuXino-LIME-UEXT and CABLE-IDC40-15cm and CABLE-40-40-10CM – a board and two cables suitable for Olimex LCD connection

#### **Important note on requirements:**

The board works with 2.5" SATA hard disks that can be powered by 5V source from the board! For the 3.5" hard disks you would probably need to provide external 12V supply.

It is a very good idea to have a USB-SERIAL-CABLE or similar cable since it allows you to:

1. Change display output settings for Debian easily
2. Debug the board via any personal computer even if there are problems with the video output

Some of the above-suggested items can be purchased by Olimex, for instance:

**SY0612E** – reliable power supply adapter 50Hz (for EU) 12V/0.5A for A10-OLinuXino-LIME

**SY0612E-CHINA** – cheaper power supply adapter 50Hz (for EU) 12V/0.5A for A10-OLinuXino-LIME

**A10-Android-SD** – a tested class 10 micro SD card with the latest (by the time of leaving the Olimex facilities) official Android release

**A10-Debian-SD** – a tested class 10 micro SD card with the latest (by the time of leaving Olimex facilities) official Debian Linux release

**USB-SERIAL-CABLE-F** – female USB serial console cable

**USB-MINI-CABLE** – standard USB type A to USB type mini cable

**A10-OLinuXino-LIME-UEXT** – GPIO adapter which makes LIME GPIOs available in breadboard friendly 0.1" step connectors, needed if you want to connect an Olimex-made display to the board

**CABLE-40-40-10CM** – extension cable suitable for the GPIO and LCD\_CON headers

**A13-LCD43TS** – low-cost 4.3" LCD display with touchscreen component – 480×272

**A13-LCD7** – low-cost 7" LCD display with optional touchscreen component – 800×480

**A13-LCD10** – low-cost 10" LCD display with optional touchscreen component – 1024×600

**CABLE-IDC40-15cm** – cable for LCD to LCD\_CON connection

**SATA-HDD-2.5-500GB** – 5GB 2.5" SATA hard disk

**SATA-CABLE-SET** – cables that allow the connection of a 2.5" hard disk to the board

**ALUMINIUM-HEATSINK-20×20×6MM** – heatsink radiator for better processor heat dissipation

## **2.3 Powering the board**

There are three possible ways of powering A10-OLinuXino-LIME – via external supply providing 5V DC at the power jack, from 5V USB port via USB\_OTG connector or from 3.7V Li-Po battery via the LIPO\_BAT. Note that the board might consume up to 650mA of current at 5V when there are no peripherals connected to the USB hosts. Make sure your power supply is able to provide at least 1A before. Depending on your preferred way of powering you might need additional hardware.

Important: Not all USB ports would be able to provide enough power for the board. Try using another USB port/USB hub or a cable of higher quality.

If you have an LCD display connected to the board or external 2.5" hard disk then the USB will NOT be sufficient source of power.

The best practice is to never count on the mini USB-OTG as a single source of power for the board!

The preferred way of powering the board is via the PWR jack with 5V DC. This would make the board fully powered and able to power all the peripherals connected to it.

Note that when powering the board from the USB\_OTG, the current provided might be insufficient to also power a bigger LCD connected to the LCD\_con. However, this power option is capable of driving the board when using external display connected to the HDMI connector.

The typical consumption of A10-OLinuXino-LIME is between 500mA and 750mA depending on the current load.

If the board has entered power-down state you can bring it back without restart using the PWR\_BUTTON. The PWR\_BUTTON is also used to start the board when powered from a Li-Po battery on the battery connector.

Sometimes when starting Android it is possible the board to enter battery save mode even before booting fully. Especially, if you have turned off the board without quick boot mode enabled. In this case you should press the PWR button for at least 5 seconds which would allow the board to start.

For the European customers we sell two power supply adapters, please check chapter 2.2. We also sell USB OTG to USB type A cables if you lack such.

The default username/password combination for the default Linux image on the SD card (if purchased) is: root/olimex.

Note that it is normal that when the board is powered some integrated circuits might appear hotter than others. This is perfectly normal for some chips – for instance – voltage regulators and the main processor.

## 2.4 Button functions

---

The bellow three buttons usually are supported under both Android and Debian:

**PWR** – used to perform software turn off, software turn on; used to turn on board when powered by battery – has to be held down for at least 5 seconds to perform each action

**RESET** – used for hardware reset of the board – it is not recommended

**RECOVERY** – used to wake up the board from sleep

It is recommended to always make a soft “turn off” of the board. If that is not possible then please hold PWR button down for a few seconds to “turn off the board”. Then you are free to remove the power supply. If you disconnect the power supply (either the USB, the battery or the power jack) before turning off the board you may corrupt your SD card. If you have placed NAND memory you

can corrupt the image on the NAND memory.

## 2.5 Changing the default image resolution

---

Depending on the display or the screen you want to use with the A10-OLinuXino-LIME, you might need to apply software changes to the prebuilt Android or Linux image.

Generally, this means that you would need to edit the configuration file `script.bin` and edit the settings inside. This file is usually located in `Script.bin` can't be opened in the binary format so you would need to convert it to `.fex` file format first. There are ready-to-use tools that convert `script.bin` <-> `script.fex`. Note that `script.bin/fex` contains configuration settings and definitions not only for the video output but also for the pin descriptions and names; power setting and much more. If you really want to modify and customize the default images (to change port functions, port names, to disable specific peripherals) you would need to be able to edit the script files. Please refer to the following web page for more information: [http://linux-sunxi.org/Fex\\_Guide](http://linux-sunxi.org/Fex_Guide)

The typical OlinuXino user would not need to edit the files, however.

**To ease the process of changing the resolution we have compiled a number of Android images for the Android users (with hard-coded video output settings). Alternatively, for Debian Linux users, we have provided a shell script that can be executed in order to set preferred video output and resolution.**

For Android that you boot from the NAND memory you would need an image suitable for the specific resolution. Download locations to such images might be found at the wiki article for the A10 board here: <https://www.olimex.com/wiki/A10-OLinuXino-LIME>.

For Linux Debian you would need to execute a shell script to be able to change the resolution. It is very good idea to use a serial cable for connection to the board from a personal computer since in this case you are dependent on a video resolution (a cable like USB-SERIAL-CABLE-F). When the board boots type:

```
./change_display*
```

or

```
./change_display_A10_lime.sh
```

and choose the resolution and the interface (LCD, HDMI or VGA).

The supported resolutions are listed below.

For LCD:

1. 4.3" (480×272)
2. 7" (800×480)
3. 10" (1024×600)

For HDMI:

0. 480i
1. 576i
2. 480p
3. 576p
4. 720p50
5. 720p60
6. 1080i50
7. 1080i60
8. 1080p24
9. 1080p50
10. 1080p60

For VGA: (note that the VGA signals are routed to custom 6 pin connector and you need to from adapter to standard VGA connector, Olimex also sells such adapter cables)

0. 1680×1050
1. 1440×900
2. 1360×768
3. 1280×1024
4. 1024×768
5. 800×600
6. 640×480
7. 1920×1080
8. 1280×720

## **2.5 Connecting and calibrating a display**

---

One of the ways to interact with the board is via an external display (with or without touchscreen component). If you want to use a display for video output from the LIME board the best way is to use the LCD\_CON row of pins.

Note that unlike other OLinuXino boards A10-OlinuXino-LIME the row of pins that allows the user to connect a display has smaller step (0.05"). The corresponding connectors in previous OLinuXino boards had a step of 0.1". This means that if you use a display made by OLIMEX, you would need additional hardware to adapt the pin-step accordingly. You can either make such adapter (or cable) yourself, following the schematics of the display and the board or purchase it from us.

You would need two 40 pin cables (CABLE-40-40-10CM and CABLE-IDC40-15cm) that connect to a small adapter board called A10-OLinuXino-LIME-UEXT. I recommend you to take a look at the pages of the adapter and the cables even if you decide to make it yourself – there are schematics available for download.

### **2.5.1 Android calibration**

---

Calibrating a display under Android is pretty straightforward from the Android application.

**Important:** initially the boards are calibrated for a specific display and resolution. If you re-write the

---

image (no matter whether the SD card or the NAND memory) you might need to use a mouse to calibrate the display initially. It might be impossible to calibrate it via touching the display.

### 2.5.2 Debian calibration

---

The command that allows calibrating in Debian Linux is:

```
ts_calibrate
```

The default Debian setup is made with settings for HDMI 720p/60Hz. If you want to change some other LCD, VGA or HDMI resolution then you have to start script file in /root directory.

If the problem is under Debian Linux make sure you are properly logged in the XFCE interface! Else applying calibration would not happen for the current user – if you are calibrating from the X graphical interface make sure that you are logged as user “olimex” (if calibrating without the X, the user is “root”).

```
#su olimex
```

```
enter the password: olimex
```

```
calibrate the touch screen and reboot the board
```

```
#sudo reboot
```

## 2.6 Software support

---

We maintain Linux and Android images for SD card which might be downloaded for free and modified as the user wishes. The latest images and updates are featured at the wiki article of the device: <https://www.olimex.com/wiki/A10-OLinuXino-LIME>.

We usually try to provide details on how to build the Linux and the Android images at our wordpress page: <http://olimex.wordpress.com/>.

Another useful place is the Olimex forums where a lot of people share their experience and advice: <https://www.olimex.com/forum/>.

---

---

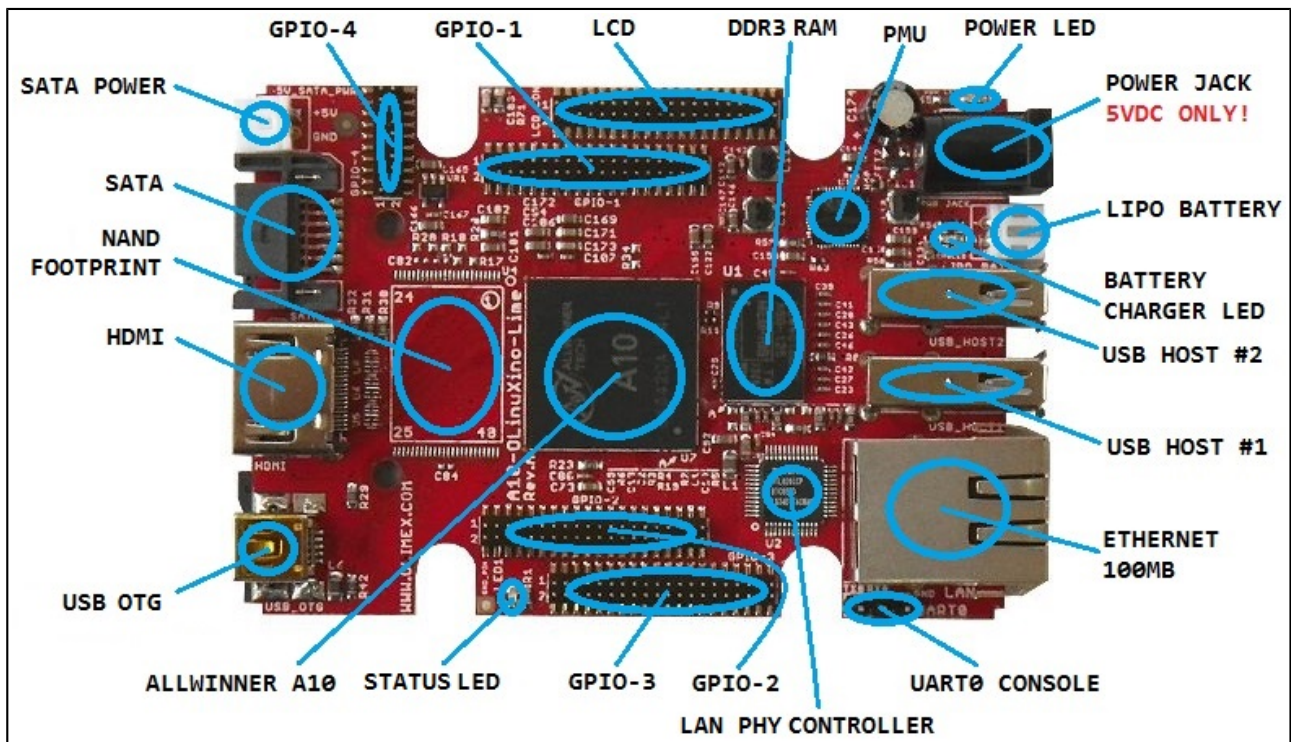
## CHAPTER 3: A10-OLINUXINO-LIME BOARD DESCRIPTION

### 3. Introduction to the chapter

Here you get acquainted with the main parts of the board. Note the names used on the board might differ from the names used below to describe them. For the actual names check the A10-OLinXino-LIME board itself.

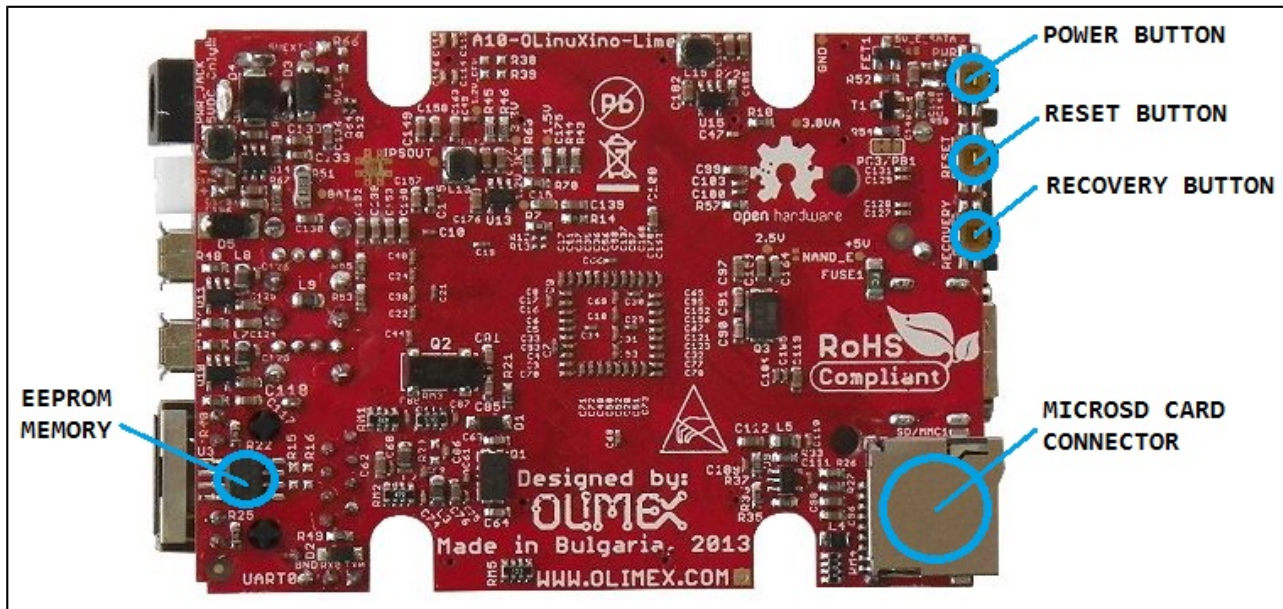
#### 3.1 Layout (top view)

The picture below shows the top side of the board and highlights the most important parts:



### 3.2 Layout (bottom view)

At the bottom are located mainly the buttons and microSD card connector.



---

## CHAPTER 4: THE ALLWINNER A10 MICROCONTROLLER

---

### 4. Introduction to the chapter

---

In this chapter is located the information about the heart of OLinuXino – its microcontroller. The information is a modified version of the datasheet provided by its manufacturers.

#### 4.1 The processor

---

The features of the A10 processor according to the manufacturer Allwinner:

- CPU
  - ARM Cortex™-A8
  - 32KB I-Cache
  - 32KB D-Cache
  - 256KB L2 Cache
  
- GPU
  - ARM Mali-400
  
- VIDEO
  - UHD 2160P video decoding
  - 3D video decoding
  - Support various video decoding formats, including VP8, AVS, H. 264 MVC, VC-1, MPEG-1,2,4, etc
  - H.264 HP video encoding up to 1080p @ 30 fps or dual-channel 720p @ 30 fps
  
- DISPLAY
  - Multi-channel HD display
  - Integrated HDMI 1.4
  - YPbPr, CVBS, VGA
  - Multiple LCD interfaces, including CPU, RGB, LVDS up to Full HD
  
- MEMORY
  - 32-bit DDR2/DDR3 with memory capacity up to 16G bits
  - SLC/MLC/TLC/DDR NAND
    - 8 flash chips, 64-bit ECC
    - Memory capacity up to 64GB
    - Support NAND of 5xnm, 4xnm, 3xnm, 2xnm, etc
    - Support NAND of Samsung, Toshiba, Hynix, etc
  
- BOOT
  - NAND Flash
  - SPI NOR Flash
  - SD Card
  - USB



More information can be found on Allwinner's web site at the following web-address:  
<http://www.allwinnertech.com/en/product/A10.html>.

A good source of information on the processor is the linux sunxi wiki article: <http://linux-sunxi.org/A10>.

---

---

## CHAPTER 5: CONTROL CIRCUITY

---

### 5. Introduction to the chapter

---

Here you can find information about reset circuit and quartz crystals locations, the power supply circuit is also briefly discussed.

#### 5.1 Reset

---

The board has hardware reset controlled by the AXP209 power system management IC.

The board should be turned off either by the standard OS menu or “poweroff” command or and after the choice is confirmed it is safe to be disconnected from the power supply unit.

#### 5.2 Clocks

---

25 MHz quartz crystal Q1 is connected to pins X1 and X2 of the RTL8201CP Ethernet controller.

32 768 Hz (RTC) quartz crystal Q2 is found at pins F1 and F2 of the A10 microcontroller.

24 MHz quartz crystal Q3 is found at pins N22 and N23 of the A10 microcontroller.

#### 5.3 Power supply circuit

---

The power supply is handled mainly by AXP209 power management system, an Allwinner chip that goes together with the A10 processor. It is mounted on the board but since it is relatively hard to find we also sell it separately.

The power supply circuit of A10-OLinuCino-LIME requires input supply of 5V. The minimum wattage is 2.5W, and this threshold may raise if using a lot of devices on the USB-HOST (via external hub), a lot of GPIOs or you have a display connected to the LCD\_CON or a hard disk powered from the 5V\_SATA\_PWR connector. If a discharged Li-Po battery is connected to the respective connector the power consumption of the whole LIME board might rise enormously, since the built-in battery charger would attempt to recharge it.

---

---

## CHAPTER 6: CONNECTORS AND PINOUT

---

### 6. Introduction to the chapter

---

In this chapter are presented the connectors that can be found on the board all together with their pinout and notes about them. Jumpers functions are described. Notes and info on specific peripherals are presented. Notes regarding the interfaces are given.

#### 6.1 Communication with LIME

---

The direct communication method is via the serial interface. Through male UART0 connector capable of delivering some information on the COM port of your computer – and then use your favorite terminal program (puTTY, teraterm, etc) to receive the data/send commands. You can use USB-SERIAL-CABLE-F with the UART0 interface allowing you to connect to a personal computer with a free USB port.

Note that the levels at board's UART0 are in CMOS level and you would need a MAX232 convertor to bring them to TTL one!

It is highly recommended to own a USB-SERIAL-CABLE-F (or similar product) at hand when debugging – the video output is not always reliable and if you set wrong display settings you might be unable to recover the settings without a proper UART0 connection.

The more indirect ways of communicating with the board are via peripheral devices – mouse and keyboard, via a touch screen LCD that is connected on LCD\_CON connector and others.

##### 6.1.2 UART0 interface

---

The UART0 interface might be used for serial communication between the board and a personal computer by default. In case of video output problem a cable might provide needed feedback and greatly reduce the efforts needed to repair the board or to adjust the software setting.

Note that by default only UART0 is defined as a port suitable for serial debug. You can use our USB-SERIAL-CABLE-F for debugging. UEXT1 and UEXT2 are NOT defined by default.

Consider table below when connecting the USB-SERIAL-CABLE-F according to the wire color code. The RX line of the cable (GREEN wire) should go to TX line of the target board; the TX line of the cable (RED wire) should go to the RX line of the target board. The BLUE wire should go to the target's GND line.

UART0		
Pin #	Signal name	Processor pin
1	UART0-TX	A7
2	UART0-RX	B7
3	GND	-

## 6.2 MicroSD card connector

The micro SD card slot is primarily used for booting the operating system.

The board works with micro SDHC cards up to 32GB of storage.

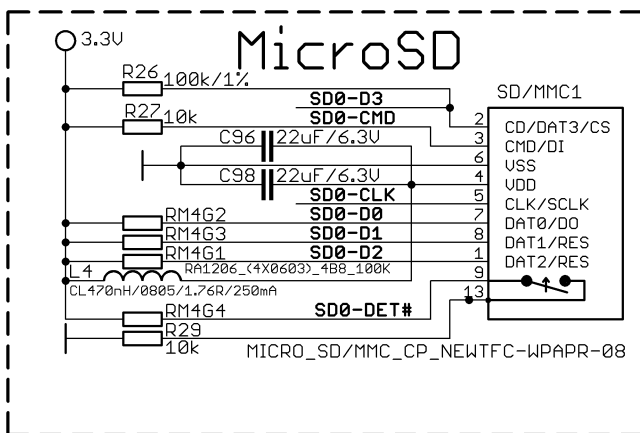
As a general precaution be careful with the SD cards you purchase. There is a big percentage of fake cards due to the low effort required to counterfeit popular brands and the big demand for SD cards worldwide. When in doubt – try the same operation with another card from another brand.

Olimex sells microSD cards with Linux or Android images, that have been tested – please refer to chapter “2.2 Requirements”. Of course, if you already have a large enough microSD card you can download the official Linux image from the wiki pages: <https://www.olimex.com/wiki/A10-OLinuXino-LIME>.

When removing the card, please make sure that you release it from the connector by pushing and NOT by pulling the card directly (this can damage both the connector and the microSD card).

### 6.2.1 SD/MMC1 slot

The schematic related to the SD/MMC1 (microSD connector) is shown below:



SD/MMC1 slot is the microSD card slot, located on the top of the board.

This slot is typically used for booting the OS, due to the larger capacities of the microSD cards (compared to SD or MMC cards). It is suggested to have an SD card with a proper Linux/Android image especially if you have ordered a version of the board without NAND memory. It is also recommended to use Class 10 (10MByte/sec) card for faster read/write operations, lower class cards (especially higher capacity ones) might slow down the whole system.

SD/MMC1 connector		
Pin #	Connector signal name	Wire name (processor pin)
1	DAT2/RES	SD0-D2 (K19)
2	CD/DAT3/CS	SD0-D3 (K20)

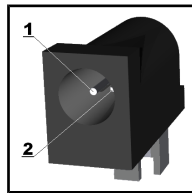
3	CMD/DI	-
4	VDD	-
5	CLK/SCLK	SD0-CLK(L20)
6	VSS2	-
7	DAT0/DO	SD0-D0(M19)
8	DAT1/RES	SD0-D1(M20)

Additionally, there are the WP and CP switches that are responsible, respectively, for sensing whether the card is locked for reading and whether there is a card inserted.

### 6.3 PWR jack

The power jack used is the typical 2.5mm one used by Olimex in most of our products. You should provide 5 volts direct current and the required current may vary depending on the peripherals connected to the board. The power supply you use should be capable of providing at least 1A of current.

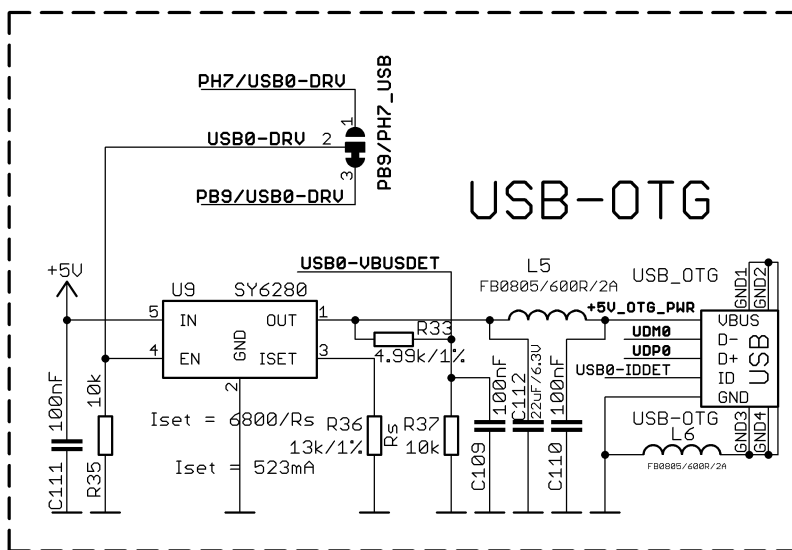
Pin #	Signal name
1	Power input
2	GND



More info about the power supply can be found in chapter 5 of this manual.

### 6.4 USB\_OTG connector

The part of the schematic related to the USB\_OTG is shown below:



The USB\_OTG features Low Loss Power Distribution Switch SY6280 which protects the board in case the devices you have plugged to the USB\_OTG attempt to draw more current than 523mA

combined. The maximum current available on the 5V USB\_OTG is exactly 523mA.

The SY6280 responsible for the USB\_OTG is enabled by USB0-DRV (processor pin C12, port B9), thus the USB\_OTG is also controlled by the same signal.

Please note that the USB0-DRV (pin C12, port B9) is multiplexed with the I2S\_DO1 signal! If you are going to use the I2S audio interface then you would probably need to change the position of the SMT jumper PB9/PH7\_USB which by default connects USB\_OTG to the PB9. This operation would require cutting between the pads of the default position with a very sharp object and then soldering the pads of the other position together. Doing so you would be able to use both the USB\_OTG (via port PH7 this time) and the I2S interface.

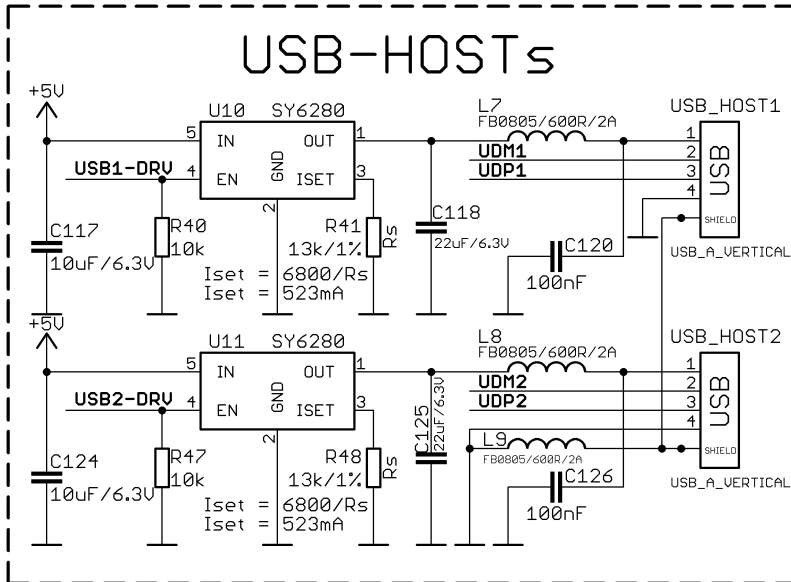
Additionally, PB9/PH7\_GPIO jumper controls which of the two ports (PB9 or PH7) should be lead out to pin 9 of GPIO3 connector for easier access. By default this jumper is in PH7\_GPIO position and PH7 is lead to pin 9 of GPIO3.

USB_OTG connector		
Pin #	Signal name	Processor pin
1	+5V_OTG_PWR	-
2	UDM0	N20
3	UDP0	N21
4	USB0-IDDET	B5
5	GND	-

The connector case is also grounded.

## 6.5 USB\_HOST connectors

The part of the schematic related to the USB\_HOST connectors is listed below:



There are two USB host connector featured on the board. They are called USB\_HOST1 and USB\_HOST2. Each of them has own connector, both situated near the Ethernet connector. Each of connector has own low loss power distribution switch SY6280 which protects the board in case the devices you have plugged to the board try to draw more current than 523mA combined. The maximum current available on each of the USB hosts is exactly 523mA.

The SY6280 responsible for the USB\_HOST1 is enabled by USB0-DRV1 (processor pin A4).

The SY6280 responsible for the USB\_HOST2 is enabled by USB0-DRV2 (processor pin A5).

USB_HOST connectors					
USB_HOST1	Signal name	Processor pin	USB_HOST2	Signal name	Processor pin
Pin #1	5V	Connected to SY628	Pin #1	5V	Connected to SY628
Pin #2	UDM1	P20	Pin #2	UDM2	R20
Pin #3	UDP1	P21	Pin #3	UDP2	R21
Pin #4	GND	-	Pin #4	GND	-

The GND is common for both levels of the USB\_HOST.

## 6.6 Ethernet

The LIME board is equipped with a standard RJ45 Ethernet connector at the top of the board that allows you to access local network via an Ethernet cable.

The LAN connectivity is handled by Realtek's RTL8201CP. Some of the features of this 10/100Mbit controller are:

- 10/100Mbps operation
  - Full/half duplex operation
  - Supports auto crossover detection
  - Adaptive equalization
  - IEEE 802.3/802.3u compliant
  - Supports IEEE 802.3u clause 28; 1.8V
  - Operation with 3.3V IO signal tolerance
- and much more

The Ethernet connector is grounded according to the standard (check GND1 and GND2 lines on the schematics).

If you use Linux then the Ethernet connector might be used for SSH connection to the board. If you lack any other option for debugging it might be hard to guess the correct IP of the board since it has DHCP enabled by default (especially if you are in a large network). It is good idea to check the default settings by exploring the Linux image settings. Those are usually stored in:

```
/etc/network/interfaces
```

For DHCP you need to enable auto detection and dhcp as shown below:

```
auto eth0
iface eth0 inet dhcp
```

For setting a static address please follow the pattern below:

```
auto eth0
iface eth0 inet static
address 192.168.1.5
netmask 255.255.255.0
gateway 192.168.1.254
```

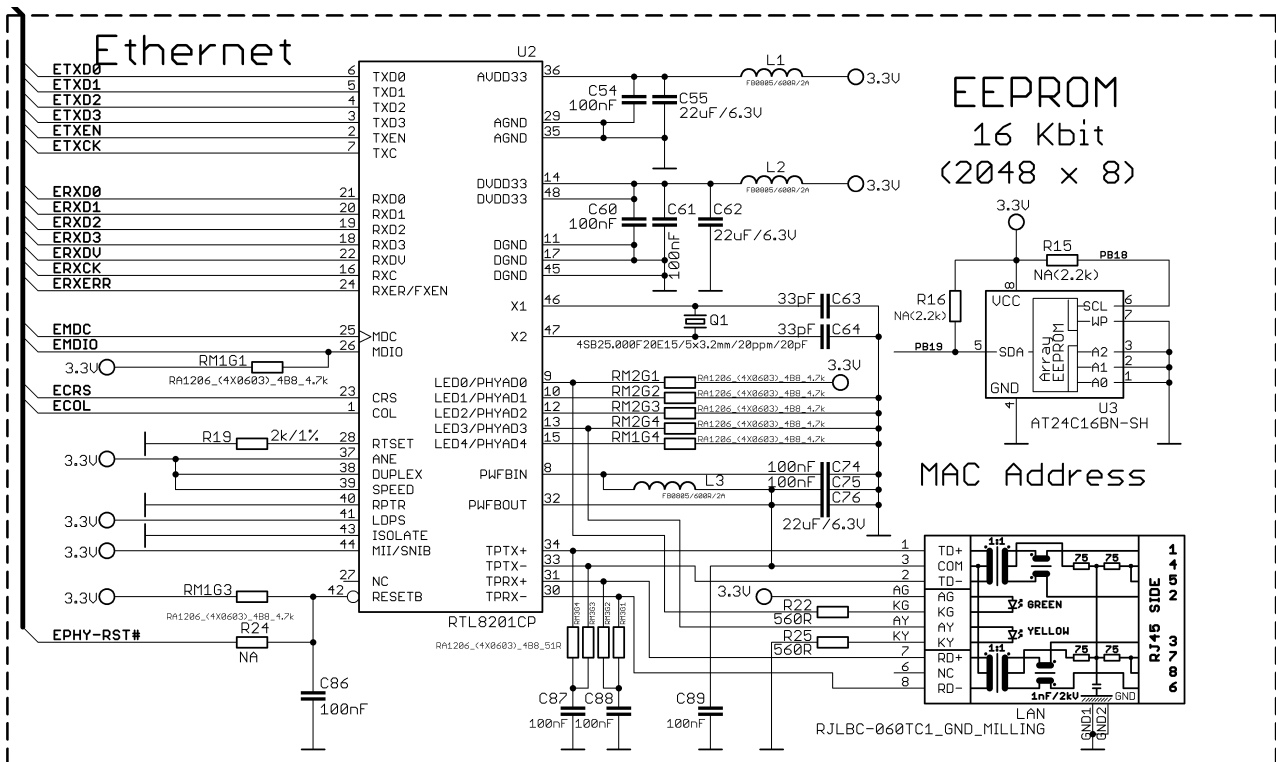
The EEPROM memory may be used to store the MAC address.

**Important:** In some Debian images it is possible that the Ethernet doesn't get auto-detected during boot-up. This is done on purpose because if there is auto-detection enabled and you don't want to use the Ethernet connector or you have forgotten to plug a cable the start-up would be greatly delayed. This might be problem in the first start-up to users counting only on SSH connection. You can enable the Ethernet after a successful boot-up with:

```
ifconfig -a  
dhclient eth#(as seen after after the ifconfig command)
```

**Important:** You can configure static/DHCP-given IP addresses in `/etc/network/interfaces`





Ethernet	
Pin #	Signal name
1	TD+
2	TD-
3	VDD
4	NC
5	NC
6	VDD
7	RD+
8	RD-

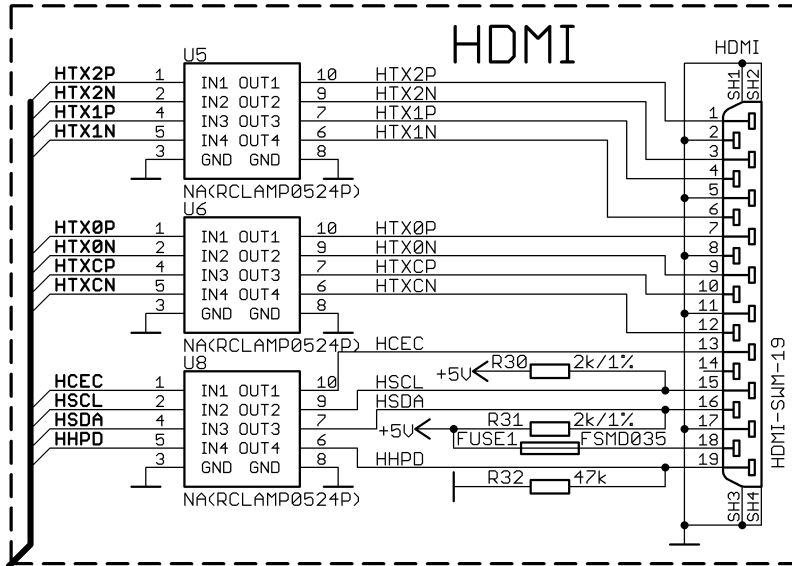


The RJ45 connector has a small yellow and a small built-in LEDS and th

LED	Color	Usage
Right	Green	Link status
Left	Yellow	Activity status

## 6.7 HDMI connector

The part of the schematic that describes the HDMI module is shown below:



Note that there are different Linux images depending whether the HDMI TV works at 50Hz or 60Hz refresh rate. If you board runs Android there is a specific option to set the appropriate HDMI output.

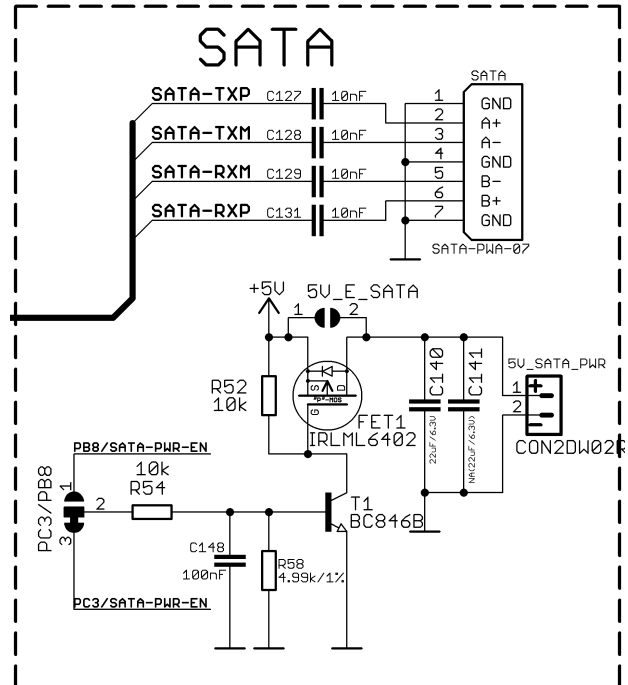
HDMI connector					
Pin #	Signal name	Processor pin	Pin #	Signal name	Processor pin
1	HTX2P	T23	11	GND	-
2	GND	-	12	HTXCN	W22
3	HTX2N	T22	13	HCEC	P23
4	HTX1P	U23	14	NA*	NA
5	GND	-	15	HSCL	R23
6	HTX1N	U22	16	HSDA	R22
7	HTX0P	U23	17	GND	-
8	GND	-	18	+5V	-
9	HTX0N	U22	19	HHPD	P22
10	HTXCP	W23			

\*Pin 14 of the HDMI is not mandatory. In HDMI 1.0-1.3c it is reserved pin; in HDMI 1.4+ it is optional.

## 6.8 SATA connector and power

The part of the schematic describing the SATA module is shown below:

SATA connector		
Pin #	Signal name	Processor pin
1	GND	-
2	SATA-TXP	T20
3	SATA-TXM	T21
4	GND	-
5	SATA-RXM	U21
6	SATA-RXP	U20
7	GND	-



There is a 5V\_SATA\_PWR connector that is suitable for powering 5V hard-disks through the board. To keep the low form factor we have placed the small JST connector.

You can make an adapter cable accordingly. The other option is to check the SATA-CABLE-SET that we have available.

For more information please visit: <https://www.olimex.com/Products/Components/Cables/SATA-CABLE-SET/>

Pay note the two jumpers 5V\_E\_SATA and PC3/PB located at the bottom of the board (under the HDMI connector). The first one 5V\_E\_SATA is open by default because the board has software control of the powering for the hard disk. If you close 5V\_E\_SATA there would always be 5V at the 5V\_SATA\_PWR connector.

Which pin does the software control of the SATA powering is determined by the position of the PC3/PB8 jumper. By default PC3 is used.

## 6.9 GPIO-1 (General Purpose Input/Output) 40pin connector

The GPIO-1 connector has 40 pins. Note that the connector has 0.05" (50 mil) step between pins. Olimex also sells a compatible extension cable for the connector named CABLE-40-40-10CM.

The signal layout is described below:

GPIO-1 connector					
Pin #	Signal name	Processor pin	Pin #	Signal name	Processor pin
1	+5V	-	2	GND	-
3	+3.3V	-	4	GND	-
5	PG0	F20	6	LRADC0	AB23
7	PG1	E21	8	LRADC1	AB22
9	PG2	E20	10	MICIN1	AC20
11	PG3	D21	12	VMIC	AA21
13	PG4	D20	14	HPOUTL	Y19
15	PG5	C21	16	HPCOM	AA19; AA20
17	PG6	E19	18	HPOUTR	W19
19	PG7	C20	20	VGA-G	AC16
21	PG8	D19	22	VGA-B	AB16
23	PG9	C19	24	VGA-R	AC17
25	PG10	D18	26	UART0-RX	B7*
27	PG11	C18	28	UART0-TX	A7*
29	PC3/SATA-PWR-EN	L22**	30	PB21	C7
31	PC18	F22	32	PB20	C8
33	PC19	L21	34	PB19	B8
35	PC20	K21	36	PB18	A8
37	PC21	J21	38	PC24	F21
39	PC22	J20	40	PC23	G19

\*Signals marked with \* are multiplexed with either a peripheral device or another connector. Ensure that the multiplexing is handled properly on software and/or hardware level (else there would probably occur wrong levels, loss of data, etc).

\*\*Pin #29 is used to control the power supply available at the 5V\_SATA\_PWR by default

## 6.10 GPIO-2 (General Purpose Input/Output) 40pin connector

The GPIO pins are led out on a separate 40pin connector. They allow the user to attach additional hardware, check readings or perform hardware debug. The GPIO-2 connector numbers are printed at the bottom of the board for your convenience.

GPIO-2 connector					
GPIO pin#	Signal name	Processor pin#	GPIO pin#	Signal name	Processor pin#
1	5V	-	2	GND	-
3	3.3V	-	4	LD03_2.8V	Goes to AXP209
5	TWI0-SCK	A15	6	PE0	E23
7	TWI0-SDA	B15	8	PE1	E22
9	PI0	A20	10	PE2	D23
11	PI1	B20	12	PE3	D22
13	PI2	A19	14	PE4	C23
15	PI3	B19	16	PE5	C22
17	PI10	C17	18	PE6	B23
19	PI11	D17	20	PE7	B22
21	PC3/NCE1	L22*	22	PE8	A23
23	PC7/NRB1	J22*	24	PE9	A22
25	PC16	M21	26	PE10	B21
27	PC17	F23	28	PE11	A21
29	PC18	F22	30	PI21	E13
31	PC23	G19	32	PI20	E14
33	PC24/NQS	F21*	34	PI19	D14
35	GPI01	-	36	PI18	E15
37	GPI02	-	38	PI17	E16
39	GPI03	-	40	PI16	E17

Signals marked with \* are multiplexed with either a peripheral device or another connector. Ensure that the multiplexing is handled properly on software and/or hardware level (else there would probably occur wrong levels, loss of data, etc).

## 6.11 GPIO-3 (General Purpose Input/Output) 40pin connector

GPIO-3 connector					
GPIO pin#	Signal name	Processor pin#	GPIO pin#	Signal name	Processor pin#
1	5V	-	2	GND	-
3	3.3V	-	4	GND	-
5	RESET_N	C14	6	PB3	B14
7	PH0	C6	8	PB4	A13
9	PH7/PB9	B4/C12	10	PB5	B13
11	PH9	D4	12	PB6	A12
13	PH10	A3	14	PB7	B12
15	PH11	B3	16	PB8/SATA-PWR-EN	A11
17	PH12	C3	18	PB10	C11
19	PH13	A2	20	PB11	C10
21	PH14	B2	22	PB12	C9
23	PH15	A1	24	PB13	B11
25	PH16	B1	26	PB14	A10
27	PH17	C1	28	PB15	B10
29	PH18	C2	30	PB16	A9
31	PH19	D1	32	PB17	B9
33	PH20	D2	34	PH24	E3
35	PH21	D3	36	PH25	E4
37	PH22	E1	38	PH26	F3
39	PH23	E2	40	PH27	F4

## 6.12 GPIO-4 (General Purpose Input/Output) 20pin connector

GPIO-4 connector features the rest of the signals available and few additional signals that might need testing.

GPIO-4 connector					
GPIO pin#	Signal name	Processor pin#	GPIO pin#	Signal name	Processor pin#
1	3.3V	-	2	GND	-
3	TVOUT3	AB17	4	NMI_N	F5
5	TVIN0	AC18	6	MIC1OUTP	AC22
7	TVIN1	AB18	8	MIC1OUTN	AC23
9	TVIN2	AA17	10	MICIN2	AC21
11	TVIN3	Y17	12	GPIO2	Goes to AXP209
13	LINEINR	AB21	14	GPIO3	Goes to AXP209
15	LINEINL	AB20	16	PC7	J22
17	FMINR	Y21	18	PC16/NWP	M21*
19	FMINL	Y20	20	PC17	F23

Signals marked with \* are multiplexed with either a peripheral device or another connector. Ensure that the multiplexing is handled properly on software and/or hardware level (else there would probably occur wrong levels, loss of data, etc).

## 6.13 LCD\_CON 40pin connector

The LCD\_CON pins are led out on a separate 40pin connector for the ease of connecting an LCD. We have tested the ability of the board to interact with such a display. They allow the user to attach additional hardware, check readings or perform hardware debug.

Important: you need additional 40PIN ribbon cable to connect an Olimex display and the LCD\_CON.

The LCD connector is suitable for a number of Olimex displays and touchscreen panels with different native resolution – the smallest available is the 4.3" one called **A13-LCD43TS** with native screen resolution of **480×272**, through the 7" one named **A13-LCD7** with **800×480**, to the **1024×600 10.1" A13-LCD10**.

LCD_CON connector					
GPIO pin#	Signal name	Processor pin	GPIO pin#	Signal name	Processor pin
1	+5V	-	2	GND	-
3	+3.3V	-	4	GND	-
5	LCD_D16	Y12	6	LCD_D17	AA12
7	LCD_D18	Y11	8	LCD_D19	AA11
9	LCD_D20	Y10	10	LCD_D21	AA10
11	LCD_D22	AB12	12	LCD_D23	AC10
13	LCD_D8	AB11	14	LCD_D9	AC11
15	LCD_D10	Y15	16	LCD_D11	AA15
17	LCD_D12	Y14	18	LCD_D13	AA14
19	LCD_D14	Y13	20	LCD_D15	AA13
21	LCD_D0	AB15	22	LCD_D1	AC15
23	LCD_D2	AB14	24	LCD_D3	AC14
25	LCD_D4	AB13	26	LCD_D5	AC13
27	LCD_D6	AB12	28	LCD_D7	AC12
29	LCD_HSYNC	AB9	30	LCD_VSYNC	AC9
31	LCD_CLK	Y9	32	LCD_DE	AA9
33	PB3	B14	34	PB4	A13
35	LCD_PWR	C4	36	PB2/PWM0	A14*
37	TPX1	Y22	38	TPX2	AA22
39	TPY1	Y23	40	TPY2	AA23

Signals marked with \* are multiplexed with either a peripheral device or another connector. Ensure that the multiplexing is handled properly on software and/or hardware level (else there would probably occur wrong levels, loss of data, etc).

### IMPORTANT:

To use Android with display or resolution different than HDMI and 1024×600 (default settings) you need to upload new Android image to the board. These images are available here: <https://www.olimex.com/wiki/A10-OLinuXino-LIME> (using an operating system – NAND flash).

In Debian Linux you would need to start a shell script to change the built-in the image resolution settings. Start it with `./change_display_a10_lime.sh` and follow the instructions. Please

refer to chapter 2.5 “Changing the default image resolution” for more information.

## 6.14 Jumper description

Please note that most the jumpers on the board are SMT type. If you feel insecure of your soldering/cutting technique it is better not to try to adjust the jumpers since it is possible to damage the board.

Board jumpers			
Jumper name	Type	Default position	Function
NAND_E	SMT	Either CLOSED or OPEN, depending whether the board has 4GB NAND MEMORY MODULE	Controls whether the NAND memory module is enabled or disabled.  If the jumper is closed than the NAND memory is operational.
PC3/PB8	SMT	PC3	Controls which processor pin should be used for SATA power enabling signal. By default the SATA powering control uses processor pin L22 which is port PC3.  Changing this jumper also changes the availability of PC3 and PB8 at GPIO-1 pin 29 and GPIO-3 pin 16.  Please note that if you change the position of the jumper from PC3 to PB8 then you might block one of the processor pins responsible for I2S and AC97 audio output.
PB9/PH7_USB	SMT	PB9	Controls which processor pin should be used for the USB_OTG. By default the USB_OTG uses processor pin C12 which is port PB9. The same pin/port is used for I2S audio. In case you want to access the I2S capabilities of the board you would need to change the default position.
PB9/PH7_GPIO	SMT	PH7_GPIO	PB9/PH7_GPIO jumper controls which of the two ports (PB9 or PH7) should be lead out to pin 9 of GPIO3 connector for easier access.  Changing this jumper also changes the signal available at GPIO-3 connector's pin 9.  By default this jumper is in PH7_GPIO position and PH7 is lead to pin 9 of GPIO3.



## 6.15 Additional hardware components

---

The components below are mounted on OLinuXino but are not discussed above. They are listed here for completeness:

**Reset button** – used to reset the board

**Power button** – used to reset the board

**Recovery button** – used to reset the board

**1×4Gbytes (256Mb x 16 bit) DDR3 SDRAM** – the exact memory used in the board revision mentioned is Memphis MEM4G16D3EABG

**1×32Gbytes (4096Mb×8 bit) NAND FLASH** – only available on the 4GB version of the board; the exact memory used in the board revision mentioned is hynix H27UBG8T2A

PWR\_LED – turns on upon powering the board

CHGLEDD – lights when charging a battery connected to the Li-Po battery connector.

---

---

## CHAPTER 7: SCHEMATICS

---

### 7. Introduction to the chapter

---

In this chapter is located information about the schematics describing logically and physically A10-OLinuXino-LIME.

#### 7.1 Eagle schematic

---

OLinuXino schematics may be found it on the OLinuXino's GitHub repository:  
<https://github.com/OLIMEX/OLINUXINO/tree/master/HARDWARE/A10-OLinuXino-LIME>. You can download the whole repository as .zip without having a GitHub account.

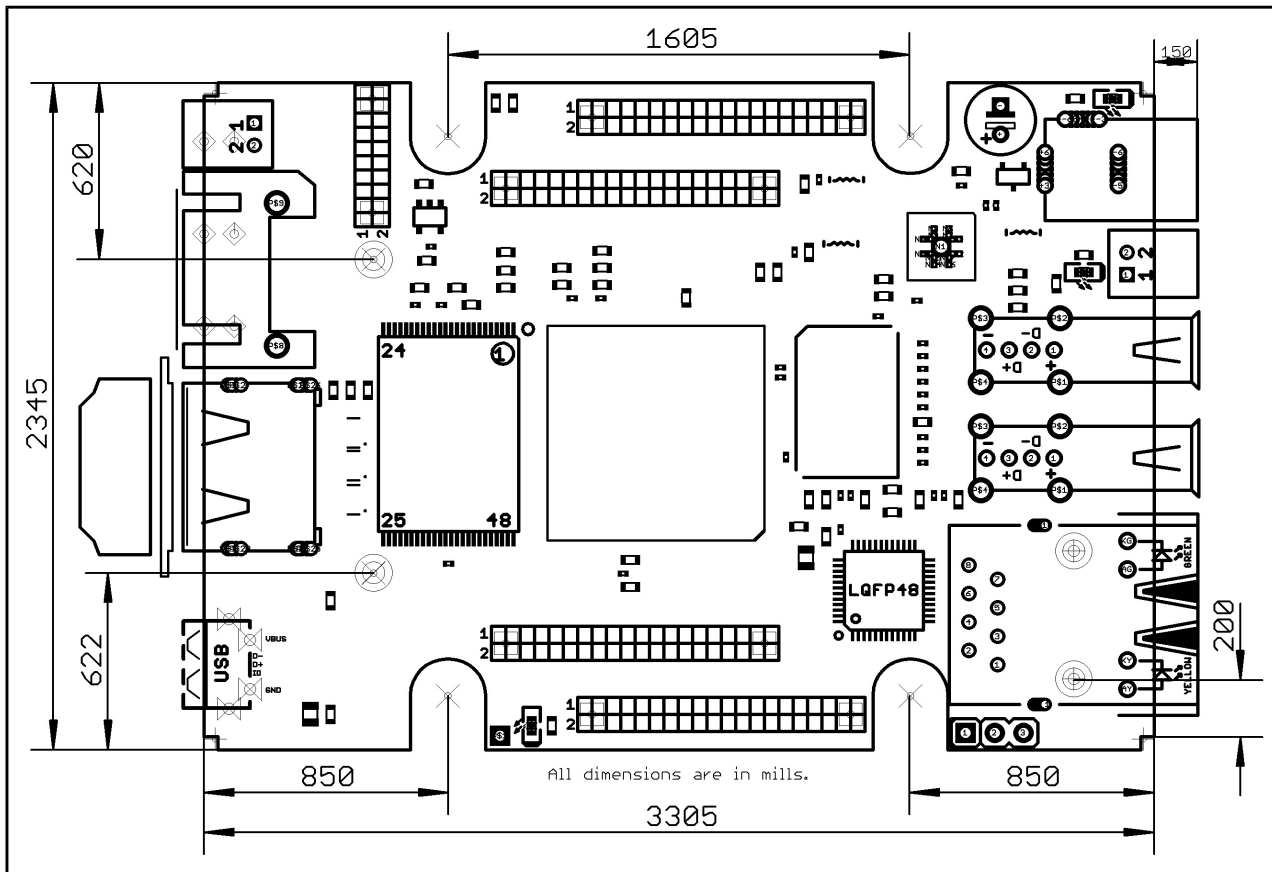
We mostly use Eagle by Cad Soft 4.16r2 for designing. However, the files should be compatible with the latest Eagle available. Cad Soft offers a trial version of their software that allows you to inspect schematics and board files (without being able to modify them).

This work is licensed under the Creative Commons Attribution-ShareAlike 3.0 Unported License. To view a copy of this license, visit <http://creativecommons.org/licenses/by-sa/3.0/>.

If you are looking for a schematic of an older revision of the board and it isn't available at our web site you may request it by the support e-mail.

## 7.2 Physical dimensions

Note that all dimensions are in mils.



## CHAPTER 8: REVISION HISTORY AND SUPPORT

### 8. Introduction to the chapter

In this chapter you will find the current and the previous version of the document you are reading. Also the web-page for your device is listed. Be sure to check it after a purchase for the latest available updates and examples.

### 8.1 Document revision

Document revision	Changes	Modified page
A, 30.05.14	Initial manual release	All

### 8.2 Board revision

Remember to check the schematics and the board design files to compare the differences.

Board revision	Notable changes
A	Initial release of the board
B	R12, R13 (ODT, RST) resistors are now mounted (were NA before) with 0R value otherwise the board doesn't start.
C	<ol style="list-style-type: none"> <li>1. PC3/PB1 is now properly labeled as PC3/PB8 both on the schematic and the print</li> <li>2. Added R73 - 10M in parallel to the 32768 crystal</li> <li>3. Added 2 FET transistors and MCP130 for switching directly external +5V without voltage drop</li> <li>4. USBDRV0 goes through 3 pin SMD jumper(PB9/PH7) for compatibility</li> <li>5. GPIO3(pin9) comes from the 3 pin jumper PH7/PB9 for compatibility</li> <li>6. 10k resistors package changed from 0603 to 0402</li> <li>7. The NAND is moved a bit so there is lower chance of short-circuit</li> <li>8. Added a NA resistor between PC16/NWP of the processor and 19 pin #WP of the NAND</li> <li>9. Added R77 pull down for MCP130</li> </ol>

## 8.3 Useful web links and purchase codes

---

The web page you can visit for more information about your device are:

<https://www.olimex.com/Products/OLinuXino/A10/A10-OLinuXino-LIME/> and .

Wiki article of the board: <https://www.olimex.com/wiki/A10-OLinuXino-LIME>

A place for general questions, FAQ or friendly talk: <https://www.olimex.com/forum/>.

You can get the latest updates on the software at: <https://github.com/OLIMEX/OLINUXINO>.

You may may join our IRC channel #olimex @ freenode.net (<http://webchat.freenode.net/?channels=olimex>).

The eewiki might be especially helpful: <http://eewiki.net/display/linuxonarm/A10-OlinuXino-LIME>.

The sunxi community is behind the Allwinner Linux support: [http://linux-sunxi.org/Main\\_Page](http://linux-sunxi.org/Main_Page).

### ORDER CODES:

**A10-OLinuXino-LIME** – the product for which this manual is about

**USB-SERIAL-CABLE-F** – USB serial console cable female

**USB-MINI-CABLE** – standard USB type A to USB type mini cable

**SY0605E** – reliable power supply adapter 50Hz (EU) 5V/1A for A10-OLinuXino-LIME

**SY0605E-CHINA** – cheaper power supply adapter 50Hz (EU) 5V/1A for A10-OLinuXino-LIME

**A10-Android-SD** – a tested class 10 micro SD card with the latest (by the time of leaving the Olimex facilities) official Android release

**A10-Debian-SD** – a tested class 10 micro SD card with the latest (by the time of leaving Olimex facilities) official Debian Linux release

**A10-OLinuXino-LIME-UEXT** – an adapter from 0.05" step connector to 0.1" step one; also suitable for LCD adapting

**A13-LCD43TS** – low-cost 4.3" LCD display with touchscreen component – 480×272

**A13-LCD7** – low-cost 7" LCD display with optional touchscreen component – 800×480

**A13-LCD10** – low-cost 10" LCD display with optional touchscreen component – 1024×600

### How to purchase?

You can purchase directly from our online shop or from any of our distributors. Note that usually it is faster and cheaper to purchase Olimex products from our distributors. List of confirmed Olimex LTD distributors and resellers: <https://www.olimex.com/Distributors>.

Please visit <https://www.olimex.com/> for more info.

## 8.4 Frequently asked questions

---

### **Q: I power my board, it shows a logo and then nothing happens.**

---

A: This might be due to a number of reasons but it is recommended to try the following:

1. Download latest official image from our wiki (either Android or Debian for SD card), and upload it to an SD card again. There are instructions how to do it in the other questions below. Try if the board works now.
2. Check if your power supply provides enough current, try with different/better power supply.
3. Check the USB hub you are using, plug the USB cable directly to the back of your personal computer, check the USB cable.
4. The board might enter sleep mode very fast (especially if the Android was turned off without the "Quick Boot" mode being ticked on). Try pressing or holding down the PWR button for a couple of seconds to wake it up.

### **Q: How do I write the Linux image to a micro SD card to use with my A10 board?**

---

A: To write a Linux image to an SD card under Windows we use Win32 Disk Imager:

Download Win32 Disk Imager software

Insert card

Start program

Select file

Click "write"

To write a Linux image to an SD card under Linux:

For instance you have an image with the file name of "debian\_2g.img". It would be downloaded to the SD card connected to a Linux machine using one of the following commands:

```
# dd bs=4M oflag=sync if=debian_2g.img of=/dev/sdX  
or
```

```
# cp debian_2g.img /dev/sdX
```

where X is the uSD card.

### **Q: How to detect and enable the Ethernet controller (if it is disabled by default)?**

---

A: You can enable it by following these two steps:

1. To check under what name the LAN is associated write "ifconfig -a"
2. If, for example, it is under eth0 name, then write: "dhclient eth0"

This should enable the Ethernet and then SSH would also be available.

---

You can also enable auto detection of Ethernet on power-up by removing the comment `#auto eth0` in `/etc/network/interfaces` in the Linux image.

### **Q: How to generate boot-able SD-card Debian Linux image for A10-OlinuXino?**

---

Check our blog post with step by step instructions (here:

<http://olimex.wordpress.com/2014/03/07/building-a20-olinuxino-micro-debian-image-with-hardware-accelerated-video/>) note that Linux-Sunxi Kernel is a work-in-progress, this means you can try the current stage branch but if something is broken and doesn't work just revert to the git tags we give in the blog and they should work for sure.

### **Q: How to install Android on an SD-card?**

---

Two images are built – one for 7" LCD and one for 10" LCD <https://www.olimex.com/wiki/A10-OLinuXino-LIME>

To write the images on the SD card you will need a software tool called PhoenixSuit and then:

- Install and run PhoenixSuit.
- Go to the firmware tab of the program and point to a valid Android image (note that the images on Gdrive are compressed and you have to extract the archives to .img files to be able write them with PhoenixSuit)
- Disconnect the power supply and USB cable from the A10 board. Put an SD card in micro SD holder. We recommend 4GB class 10 card.
- Press and hold RECOVERY button, apply power supply 5V, release RECOVERY button.
- Connect USB cable to the mini USB connector.
- You will be asked for drivers for the boot-loader. Navigate to the folder where you extracted the PhoenixSuit and install the drivers from the respective executables (or manually point the installer to the drivers folder in the PhoenixSuit installation path).
- PhoenixSuit will detect the board and would ask for the method of writing the image. Choose method of writing the image and confirm your wish to write the image.
- Wait till upgrade succeeds

Note that it is not recommended to have your mini USB connected to an external USB hub. This might cause delays and might distort the signal levels. Always test with the USB connected straight to the USB ports of your computer.

Important: When Android runs for very first time it takes several minutes to initialize all files and buffers please do not cut the power supply during this process! Also when fresh image is installed fast boot may be disabled, which means that when you apply power supply after few seconds Android will go in sleep mode and you have to press PWR button to start it, you can change to fast boot when you power off there is dialog box asking you if you want next boot to be fast boot, you have to check this box before you power off. Also note that you must do touch screen calibration when you run Android for very first time which might require a mouse.

## 8.5 Product support

---

For product support, hardware information and error reports mail to: [support@olimex.com](mailto:support@olimex.com). All document or hardware feedback is welcome. Note that we are primarily a hardware company and our software support is limited. Please consider reading the paragraph below about the warranty of Olimex products.

All goods are checked before they are sent out. In the unlikely event that goods are faulty, they must be returned, to OLIMEX at the address listed on your order invoice.

OLIMEX will not accept goods that have clearly been used more than the amount needed to evaluate their functionality.

If the goods are found to be in working condition, and the lack of functionality is a result of lack of knowledge on the customers part, no refund will be made, but the goods will be returned to the user at their expense.

All returns must be authorized by an RMA Number. Email [support@olimex.com](mailto:support@olimex.com) for authorization number before shipping back any merchandise. Please include your name, phone number and order number in your email request.

Returns for any unaffected development board, programmer, tools, and cables permitted within 7 days from the date of receipt of merchandise. After such time, all sales are considered final.

Returns of incorrect ordered items are allowed subject to a 10% restocking fee. What is unaffected? If you hooked it to power, you affected it. To be clear, this includes items that have been soldered to, or have had their firmware changed. Because of the nature of the products we deal with (prototyping electronic tools) we cannot allow returns of items that have been programmed, powered up, or otherwise changed post shipment from our warehouse.

All returned merchandise must be in its original mint and clean condition. Returns on damaged, scratched, programmed, burnt, or otherwise 'played with' merchandise will not be accepted.

All returns must include all the factory accessories which come with the item. This includes any In-Circuit-Serial-Programming cables, anti-static packing, boxes, etc.

With your return, enclose your PO#. Also include a brief letter of explanation of why the merchandise is being returned and state your request for either a refund or an exchange. Include the authorization number on this letter, and on the outside of the shipping box.

Please note: It is your responsibility to ensure that returned goods reach us. Please use a reliable form of shipping. If we do not receive your package we will not be held liable.

Shipping and handling charges are not refundable. We are not responsible for any shipping charges of merchandise being returned to us or returning working items to you.

The full text might be found at <https://www.olimex.com/wiki/GTC#Warranty> for future reference.

---

---

---